

# Quartz Clock/Engine Hour Meter Installation Instructions

For Vision, Cockpit, Cockpit White, Cockpit Royale, Series 1, Heritage Gold, and Industrial Styles



INSTRUCTIONS FOR INSTALLING THE QUARTZ CLOCK AND/OR ENGINE HOUR METER FOLLOW.  
USE IS RESTRICTED TO 12 VOLT NEGATIVE GROUND ELECTRICAL SYSTEMS.

## PARTS LIST

Item	Description	Quantity
1.	Quartz Clock and/or Engine Hour Meter (2 1/16" diameter)	1
2.	Lamp Socket (Push in, wedge-type)	1
3.	Light Bulb (12-volt / G. E. #158 or equiv.)	1
4.	Installation Instructions	1
5.	Spin-Lok™ Mounting Clamp or VDO Mounting Bracket	1

## Tools and Materials Needed for Installation:

16 Gauge Stranded, insulated wire  
Insulated 1/4 spade terminals and ring terminals  
2 1/16" hole saw  
Drill and drill bit set  
Half-round file  
Tape measure or ruler  
Wrench or nut driver set  
Utility knife

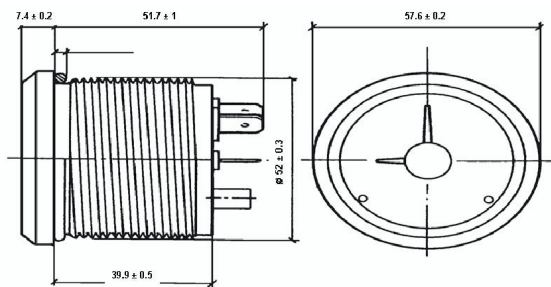
**CAUTION:** Read these instructions thoroughly before making installations. Do not deviate from assembly or wiring instructions. Always disconnect battery ground before making any electrical connections. If in doubt, please contact your dealer or VDO at **1-800-265-1818**

## General Information:

Your Quartz Clock and/or Engine Hour Meter comes with VDO's Spin-Lok™ Mounting Clamp. An optional mounting bracket is available if you need one to mount this gauge in your application. Contact your VDO dealer to obtain an optional mounting bracket

## Quartz Clock/Engine Hour Meter Installation:

1. Select the location where you will mount the Quartz Clock/Engine Hour Meter, Lay out and mark a center point for the gauge.
2. Cut a 2 1/16" (52mm) diameter hole. Place the Quartz Clock/Engine Hour Meter into its hole to be sure it fits. If the fit is too snug, use a file to slightly enlarge the opening until the gauge fits properly. See Diagram A

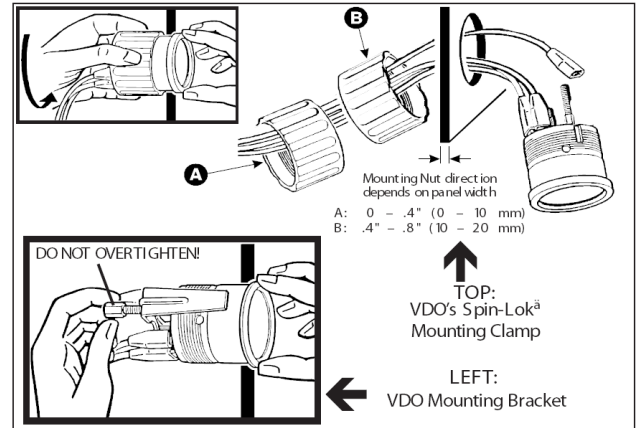


**Diagram A**

Quartz Clock/Engine Hour Meter Mounting Information.

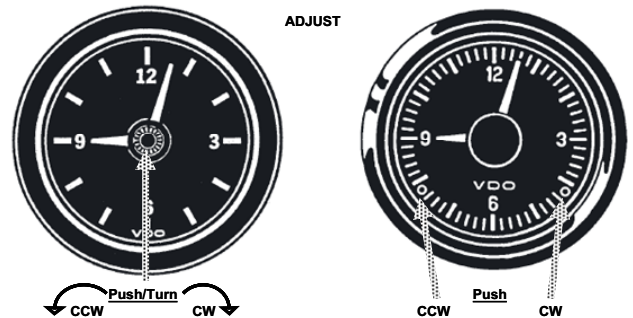
3. Slip the supplied VDO Spin-Lok™ Mounting Clamp over the back of the gauge. Its' direction depends on the thickness of the panel as shown in Diagram B. Tighten the clamp until Quartz Clock/Engine Hour Meter can not longer be rotated by hand.

**DO NOT OVERTIGHTEN.**



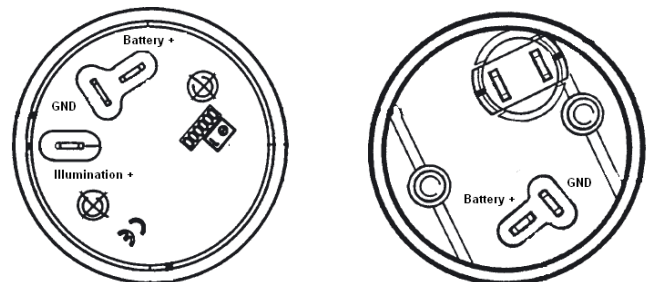
**Diagram B**

Mounting using optional VDO Mounting Bracket or included VDO Spin-Lok™ Clamp



**Diagram C**

Setting the time.



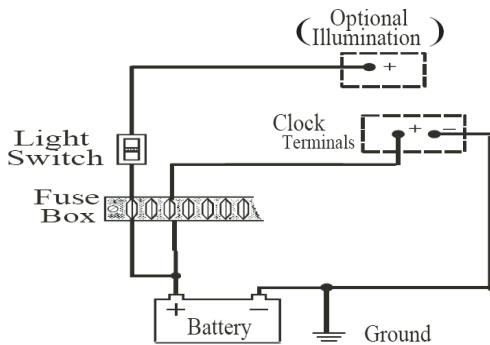
**Diagram F**

Connection

### Wiring the Quartz Clock: (Diagram D)

1. Run wires from the Quartz Clock location through the firewall to:
  - a) The positive (+) terminal on the battery (after the fuse box, but before the ignition switch or any other switch. This positive power source **MUST BE UNSWITCHED**, But should be protected with a fuse).
  - b) The light switch (also after the fuse in the fuse box);
  - c) A good ground location (i.e., where the negative (-) battery pole is bolted to the chassis of the vehicle).
2. Connect a wire from the positive (+) power source (again, the battery **AFTER** the fuse box but before any switches) to the terminal marked (+) on the back of the Quartz Clock.
3. Connect a wire from a good ground location to the terminal on the back of the clock marked (-).
4. Continue to wire from a good ground location to the terminal on the back of the clock marked (-).
5. Connect the wire from the light switch (after the fuse box) to the other terminal on the lamp socket.

At this point, the installation and wiring of your new VDO Quartz Clock is complete. Turn on the lights in the car and check to see that the clock and the lights are working properly. If they aren't, re-check wiring. Diagram C illustrates the time setting function.

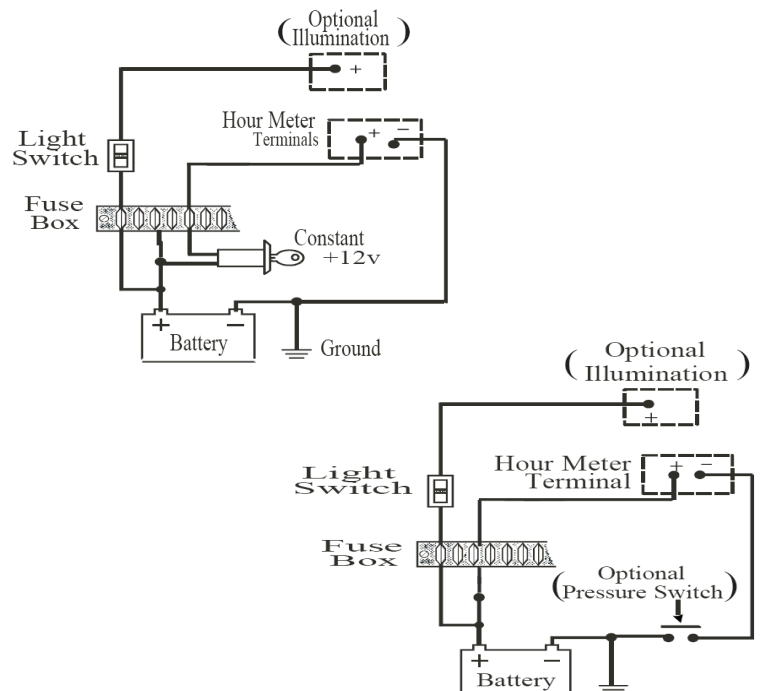


**Diagram D**  
Proper Wiring of the VDO Quartz Clock

### Wiring the Engine Hour Meter: (Diagram E)

1. Run wire from the Engine Hour Meter location through the firewall to:
  - a) The positive (+) terminal on the ignition switch (after the fuse box);
  - b) The light switch (also after the fuse in the fuse box);
  - c) A good round location (i.e., where the negative (-) battery pole is bolted to chassis of the vehicle).
2. Connect the wire from the positive (+) power source (the ignition switch **AFTER THE FUSE**) to the terminal marked (+) on the back of the Engine Hour Meters.
3. Connect a wire from a good ground location to the terminal on the back of the Engine Hour Meter marked (-).
4. Continue the wire from the terminal marked (-) on the back of the gauge to one of the terminals on the gauge lamp socket.
5. Connect the wire from the light switched (after the fuse box) to the other terminal on the gauge lamp socket.

At this point, the installation and wiring of your new VDO Engine Hour Meter is complete. Turn on the ignition and the lights in the car and check to see that the Engine Hour Meter and light are working properly. If they aren't, re-check your wiring.



**Diagram E**  
Wiring examples of the VDO Engine Hour Meter

Merchandise warranted against defects in factory workmanship and materials for a period of 24 months after purchase. This warranty applies to the first retail purchaser and covers only those products exposed to normal use or service. Provisions of this warranty shall not apply to a VDO product used for a purpose for which it is not designed, or which has been altered in any way that would be detrimental to the performance or life of the product, or misapplication, misuse, negligence or accident. On any VDO part or VDO product found to be defective after examination by manufacturer, manufacturer will only repair or replace the merchandise through the original selling dealer. Manufacturer assumes no responsibility for diagnosis, removal and/or installation labor, loss of vehicle use, loss of time, inconvenience or any other consequential expenses. The warranties herein are in lieu of any other expressed or implied warranties, including any implied warranty of merchantability of fitness, and any other obligation on the part of manufacturer, or selling dealer.

**(NOTE: This is a "Limited Warranty" as defined by the Magnuson-Moss Warranty Act of 1975.)**